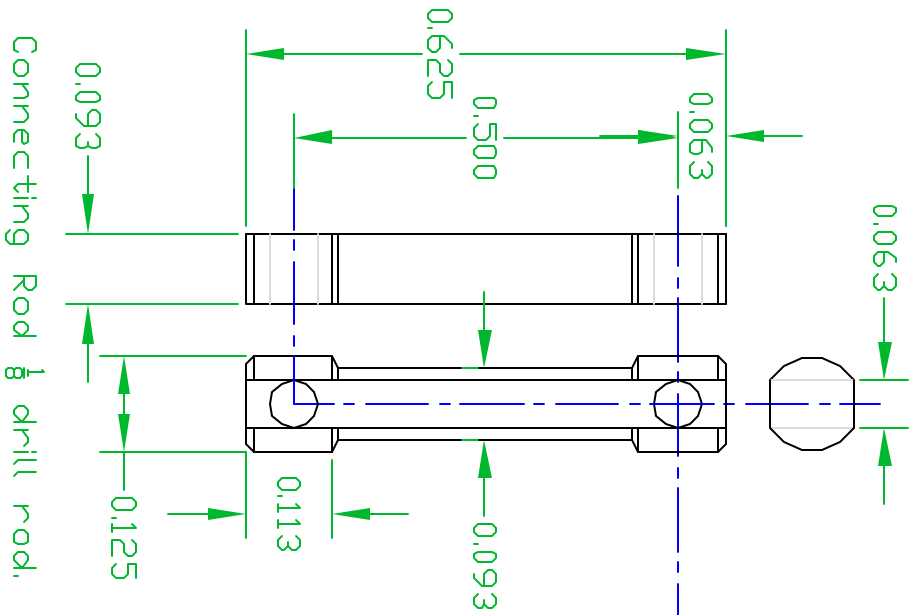
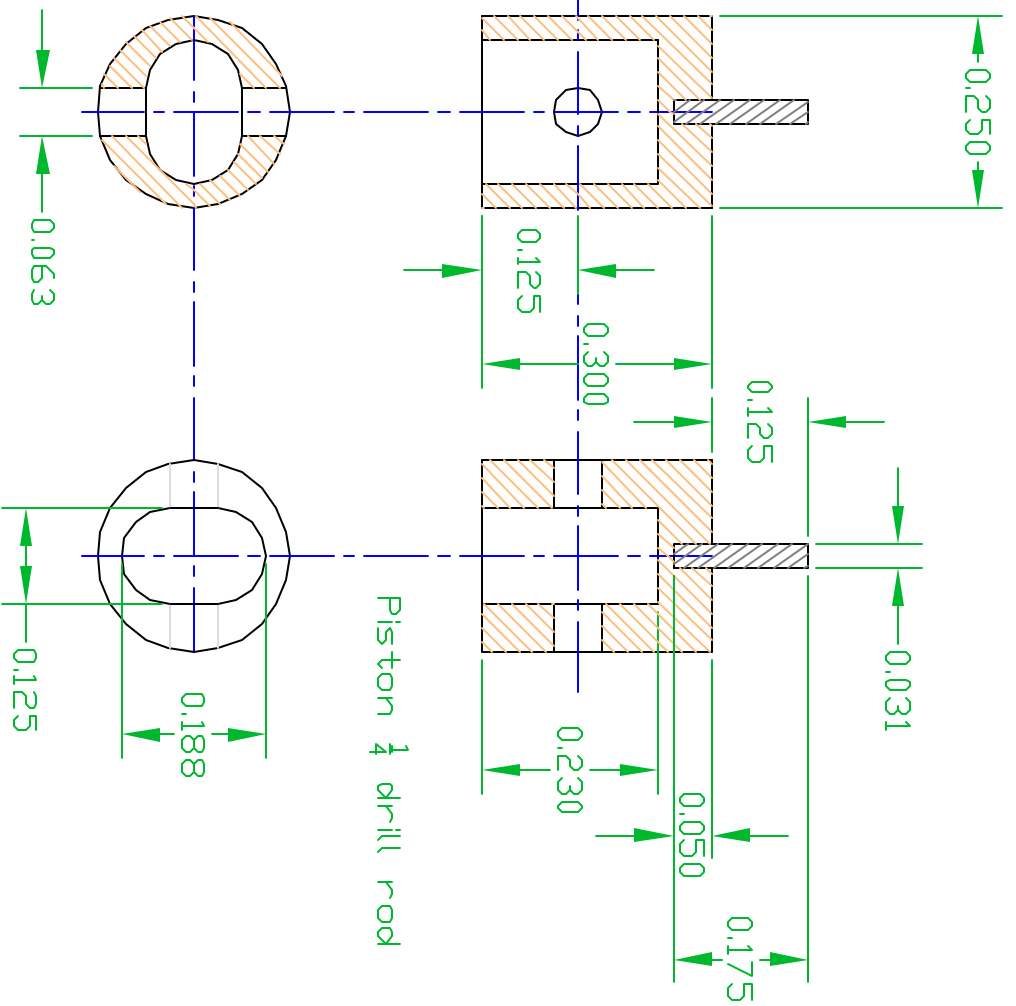


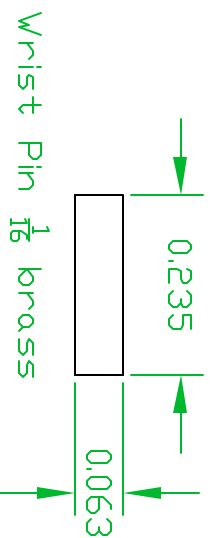
Pin length should lift ball
 .010 - .015 at TDC.
 Pin is $\frac{3}{32}$ SS music wire.



Connecting Rod $\frac{1}{8}$ drill rod.



Piston $\frac{1}{4}$ drill rod



Wrist Pin $\frac{1}{16}$ brass

David Kerzel

Pompano Beach, Florida USA

This drawing may be used or modified for any nonprofit purpose. All accuracy and safety issues are the user's responsibility and the provider and originator are in no way responsible or liable. © David Kerzel, 2003

Assembly:

Mini CO2 Vertical 1

Title:

Piston and connecting Rod

Date: 08/02/2003

Drawing

Revision: 1.0

Mini_V1-04